

**Candidate's Examination Number.....**

**SMZ**

**ZANZIBAR EXAMINATIONS COUNCIL**

**FORM THREE ENTRANCE EXAMINATION**

**131**

**INFORMATION AND COMPUTER STUDIES**

**TIME 2:30 HOURS**

**MONDAY 08<sup>TH</sup> NOVEMBER, 2021 P.M**

---

**INSTRUCTIONS TO CANDIDATES**

1. This paper consists of THREE (3) sections A, B and C.
2. Answer ALL questions in sections A and B and any ONE (1) question from section C.
3. All answers must be written in the space provided.
4. Write your examination number on every page of this booklet.
5. Calculators, Cellular phones and unauthorized materials are not allowed in the examination room.

<b>FOR EXAMINER'S USE ONLY</b>					
<b>QUESTION NUMBER</b>	<b>MARKS</b>	<b>SIGNATURE</b>	<b>QUESTION NUMBER</b>	<b>MARKS</b>	<b>SIGNATURE</b>
1			7		
2			8		
3			9		
4			10		
5			11		
6			12		
<b>TOTAL</b>					

This paper consists of 11 printed pages.

**SECTION A: (15 Marks)**

**Answer ALL questions from this section.**

1. Choose the letter of the correct answer and write it below the item number in the table below.
  - i) Which of the following components allows the computer to permanently retain large amount of data?  
A. CPU                      B. CD                      C. Memory                      D. Mass storage device
  - ii) Which one of the following is the best definition of computer?  
A. A device used to process information  
B. A device used to process information and store data.  
C. A device used to process data.  
D. A device used to output data.
  - iii) Which of the memory chips is programmed during the manufacturing process?  
A. EEPROM                      B. PROM                      C. RAM                      D. ROM
  - iv) The two (2) types of RAM are  
A. Erasable and volatile                      B. Erasable and programmable  
C. Static and dynamic                      D. Volatile and non-volatile
  - v) It is not a sequential access device  
A. CD-ROM                      B. DAT                      C. Magnetic tape                      D. 8-mm Helical scan
  - vi) An input device that is widely used in super market is  
A. bar code reader                      B. keyboard track ball                      B. Mouse                      D. keyboard
  - vii) The fifth generation languages are also called  
A. Assembly language                      B. machine language  
C. Natural language                      D. Installation language
  - viii) One of the following is a permanent storage device  
A. Compact disk                      B. Floppy disk                      C. hard disk                      D. Scanner

- ix) These are two (2) possible values that are used to represent bit
- A. One and two
  - B. One and zero
  - C. Zero and two
  - D. Zero and ten
- x) A computer that holds databases and programs for many terminals is known as
- A. Client
  - B. Domain
  - C. Node
  - D. Server

**Answers**

i	ii	iii	iv	v	vi	vii	viii	ix	x

2. Match the size of Data units in **List A** with the appropriate size in **List B** by writing the letter of the correct response below the item number in the table below.

COLUMN A	COLUMN B
i. 16 - 64 bits	A Byte
ii. 1 trillion Bytes calculate the location of a specific device	B. Word
iii. Eight bits	C. Bit
iv. 1 million Bytes	D. Tetrabyte (TTB)
v. One binary digit	E. Mega Bytes (MB)
	F. Kilo Bytes (KB)
	G. 60 - 90 bits

**Answers**

i	ii	iii	iv	v



c) i) Define the term word processing.

---

---

ii) Specialized software for word processing is known as \_\_\_\_\_

iii) Give two (2) advantages of using word processing program.

---

---

---

5. a) As A computer specialist explain the benefits of having the following devices in a computer room.

i) Voltage stabilizers

---

---

ii) Surge protector

---

---

---

b) Define the following terms.

i) Utility programs

---

---

---

ii) Backup

---

---

---

c) Briefly explain the effects of the following on computers.

i) Dust

---

---

---

ii) Liquid

---

---

---

6. a) i) What is a search engine?

---

---

---

ii) Identify any four (4) common search engines.

---

---

---

---

b) Define the following terms.

i) e- learning

---

---

---

ii) Electronic commerce

---

---

---

c) Analyze any two (2) advantages of using e- learning method.

---

---

---

---

7. a) Write short explanation on computer peripherals.

---

---

---

b) Give four (4) typical examples of computer peripherals.

---

---

---

---

c) The figure below show six (6) parts of a personal computer. Two (2) parts have already been labeled.

i) Write the names of the remaining parts.

---

---

---

ii) State the importance of parts A, B, C and D.

---

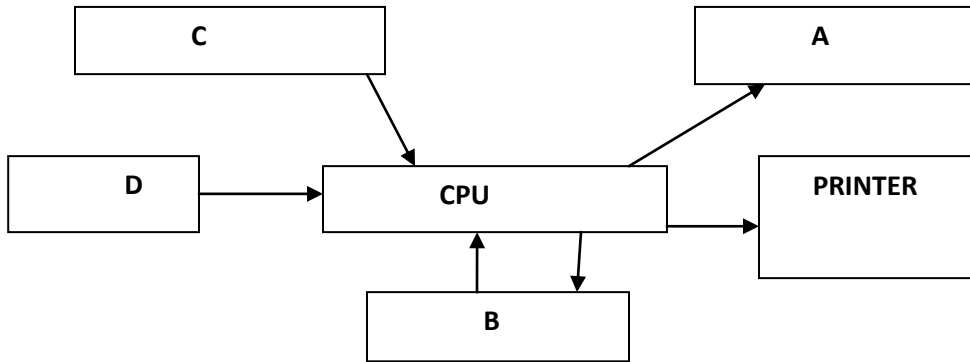
---

---

---

---

---



8. a) Show the difference between Application software and System software.

---

---

---

---

---

b) i) Define the term operating system.

---

---

---

ii) Mention any two (2) examples of operating systems.

---

---

iii) Write down any four (4) functions of operating system.

---

---

---

---



9. a) Early computing devices have been replaced by the modern computing devices due to several reasons. Identify any two (2) early computing devices.

---

---

---

- b) The first computer generation cover the period from 1951 – 1958. Write down the periods covered by.

i) Second computer generation: \_\_\_\_\_

ii) Third computer generation: \_\_\_\_\_

iii) Fourth computer generation: \_\_\_\_\_

- c) Analyze two (2) characteristics of computers in 5<sup>th</sup> computer generation.

---

---

10. a ) Define Data Transmission media.

---

---

- b) List four (4) types of transmission media.

---

---

- c) i) Outline two (2) advantages of using fiber cable.

---

---

---

- ii) Identify any two (2) disadvantages of fiber cable.

---

---

---

**SECTION C: (10 Marks)**

**Answer only ONE (1) question from this section.**

11.

	<b>A</b>	<b>B</b>	<b>C</b>	<b>D</b>	<b>E</b>	<b>F</b>	<b>G</b>
S/N	REG.NO	NAMEOF STUDENT	KISW	PHY	COMP	TOTAL	GRADE
3	309	MIIZA A	46	78	90		
4	310	MSURI J	65	72	81		
5	311	MNYASA K	50	99	98		
6	312	MDUNGI G	60	74	86		
7	313	MCHA A	79	60	70		
8	314	MKWERE S	40	67	99		
9	315	MNYAJI D	45	56	60		
10	316	MOHD T	60	78	85		
11	317	MKUBWA M	68	64	67		

From the table above.

- a) i. Write a formula to find the average mark for the entire class.  
 ii. Write a formula to find the sum of marks for each student.  
 iii. Write a formula to find the maximum mark on computer subject.

---



---



---



---



---

- b) Write down two (2) applications of spreadsheet program.

---



---



---



---

12. a) Define the term internet.

---

---

---

---

b) Give the difference between the Hub and router.

---

---

---

---

---

---

---

---

c) Briefly explain any three (3) benefits of having LAN in a work organization.

---

---

---

---

---

---

---

---

d) Analyze any three (3) factors to be considered when choosing an Internet service Provider (ISP).

---

---

---

---

---

---

---

---